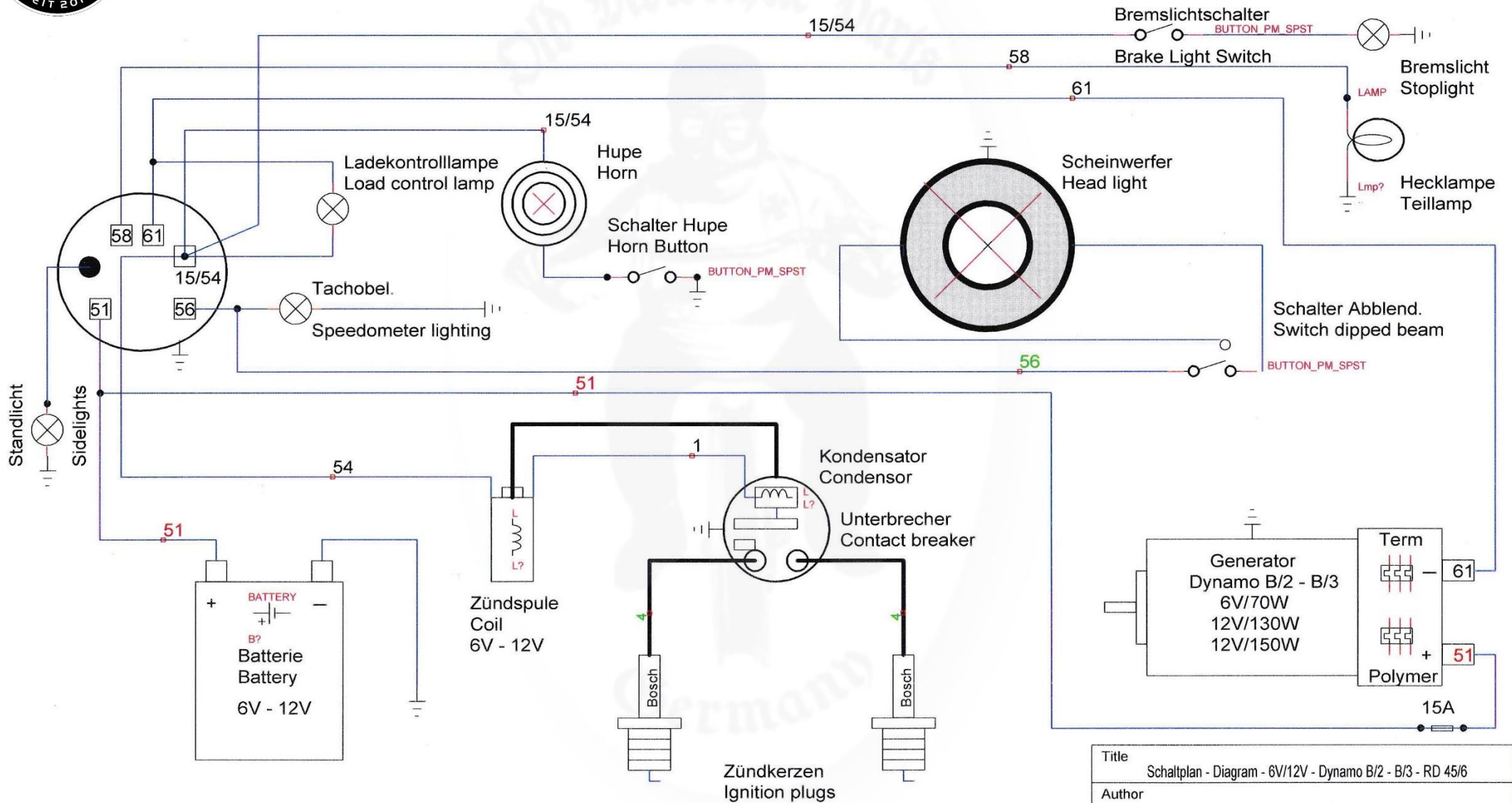




Schaltplan - Diagram - 6V/12V - 70W/150W Dynamo B/2 - B/3 RD 45/6



Title Schaltplan - Diagram - 6V/12V - Dynamo B/2 - B/3 - RD 45/6		
Author Old - Motorcycle - Parts - Germany		
File cycle-Parts\Desktop\Schaltplan Dynamo B2 -B3	Document 000019B	
Revision 1.0	Date 08.02.19	Sheets 1 of 1