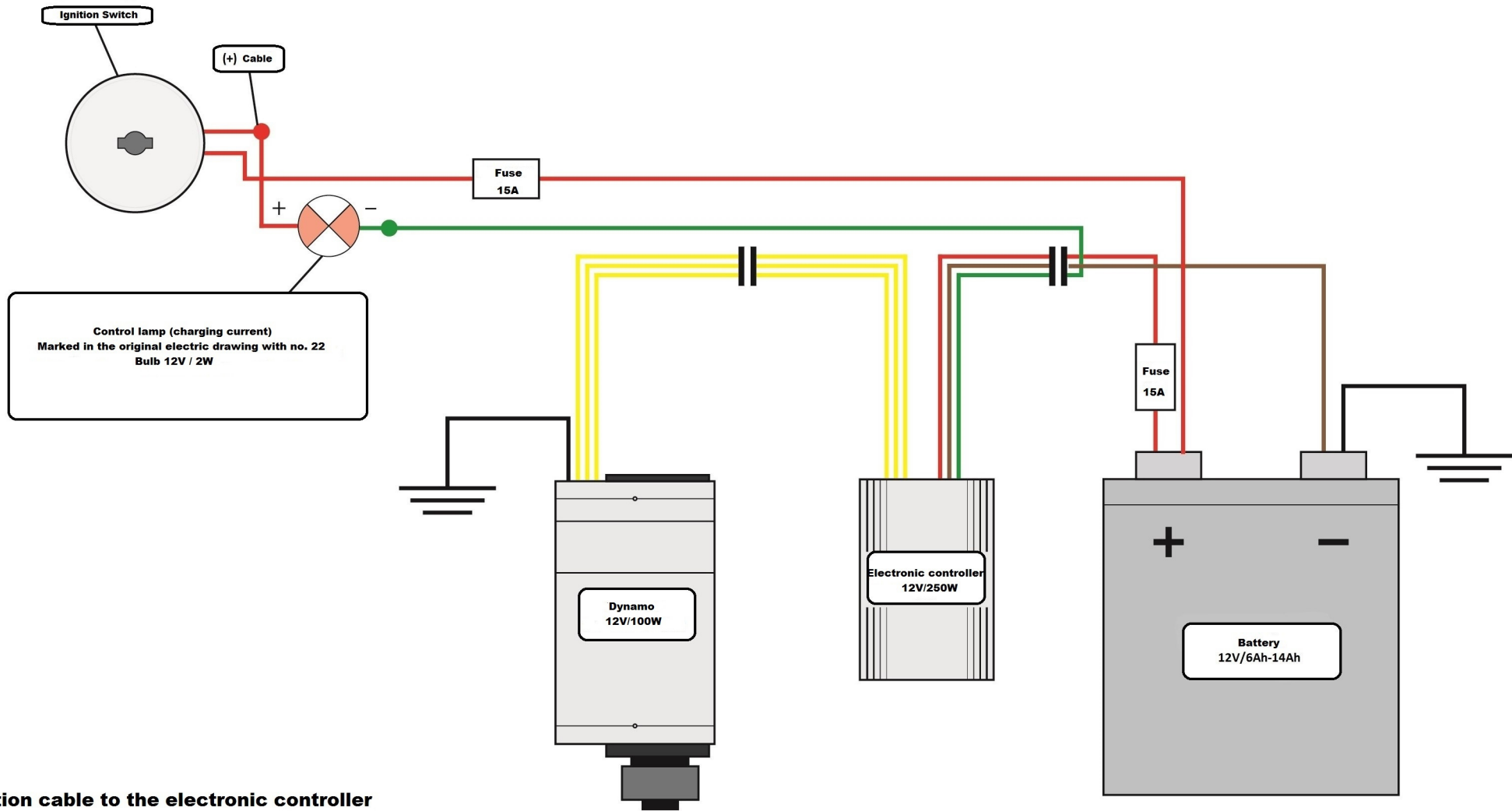


Elektronics plan Dynamo L - L/2 - L/3 - L/4 - L/5 - L/6 - M - Alternator 12V/100W with (-) to the mass With control lamp



Control lamp (charging current)
Marked in the original electric drawing with no. 22
Bulb 12V / 2W

- Connection cable to the electronic controller**
- Mass cable (-)
 - Plus cable (+)
 - Minus cable Control lamp current charging (-)

