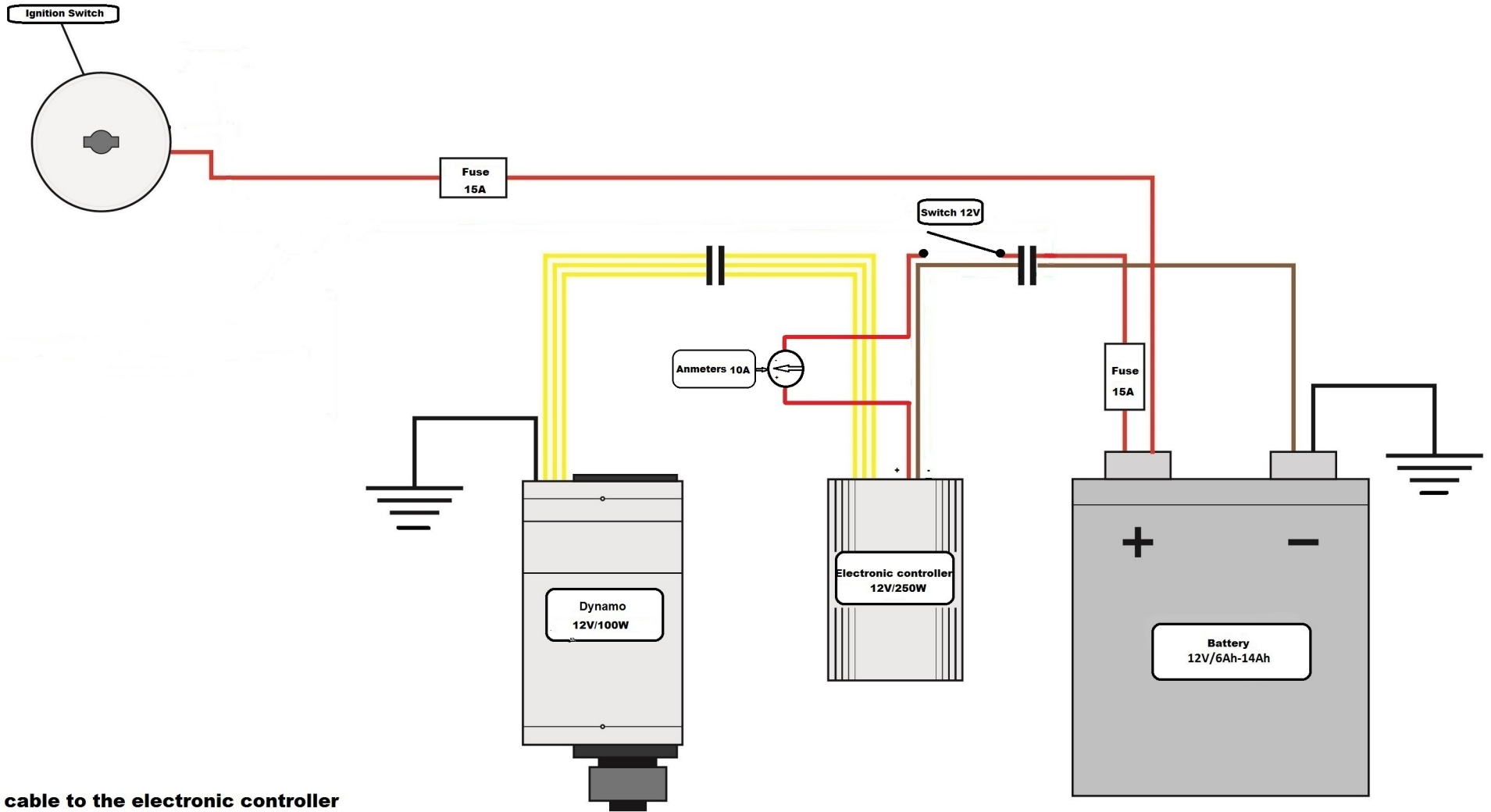


Electronics plan Dynamo L - L/2 - L/3 - L/4 - L/5 - L/6 - M - Alternator 12V/100W with (-) to the mass



Connection cable to the electronic controller

- Mass cable (-)
- Plus cable (+)

