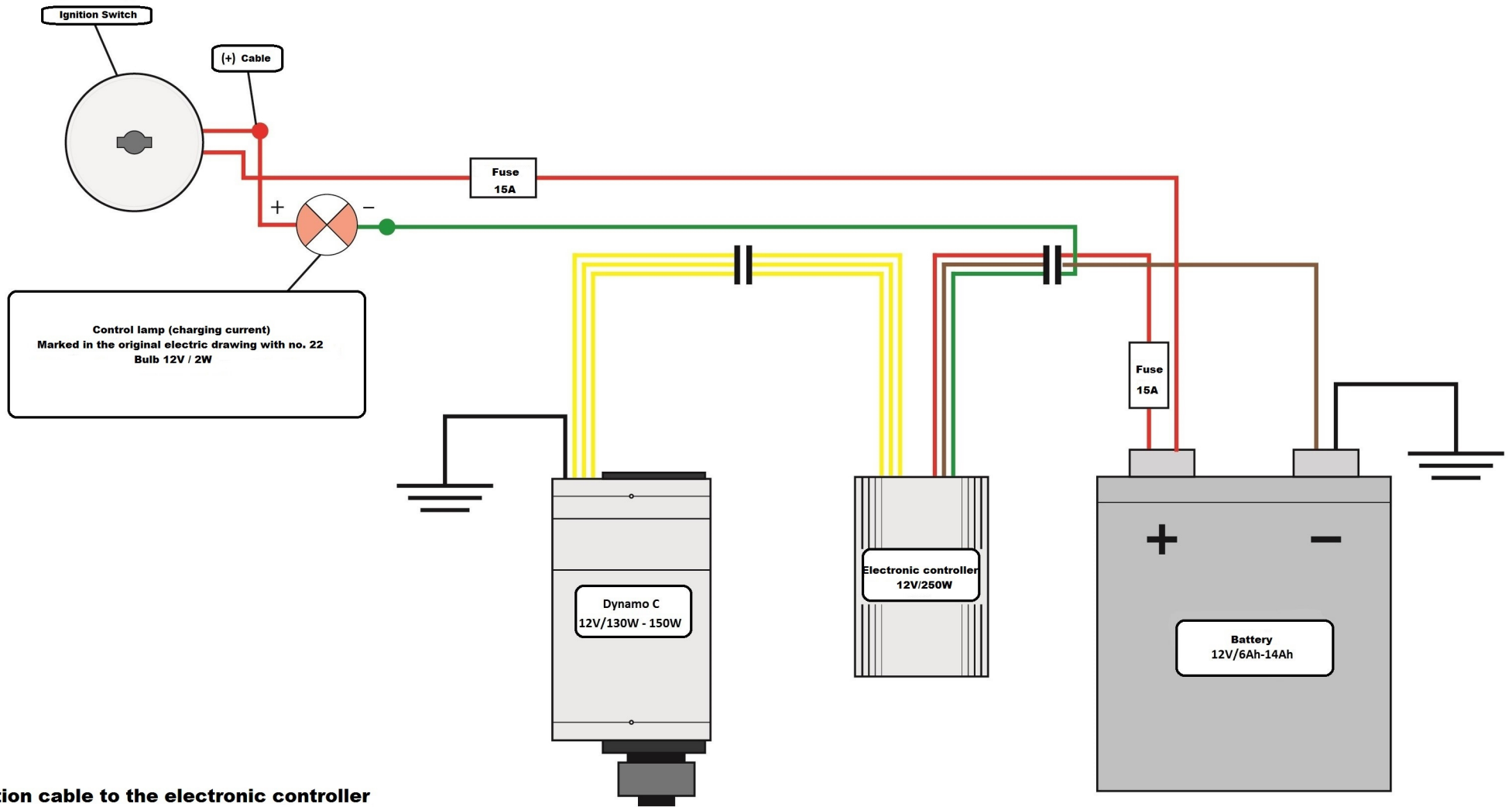




Electronics plan Dynamo C - Alternator 12V - 130 / 150W with (-) to the mass



Control lamp (charging current)
Marked in the original electric drawing with no. 22
Bulb 12V / 2W

Connection cable to the electronic controller

-  Mass cable (-)
-  Plus cable (+)
-  Minus cable Control lamp current charging (-)

