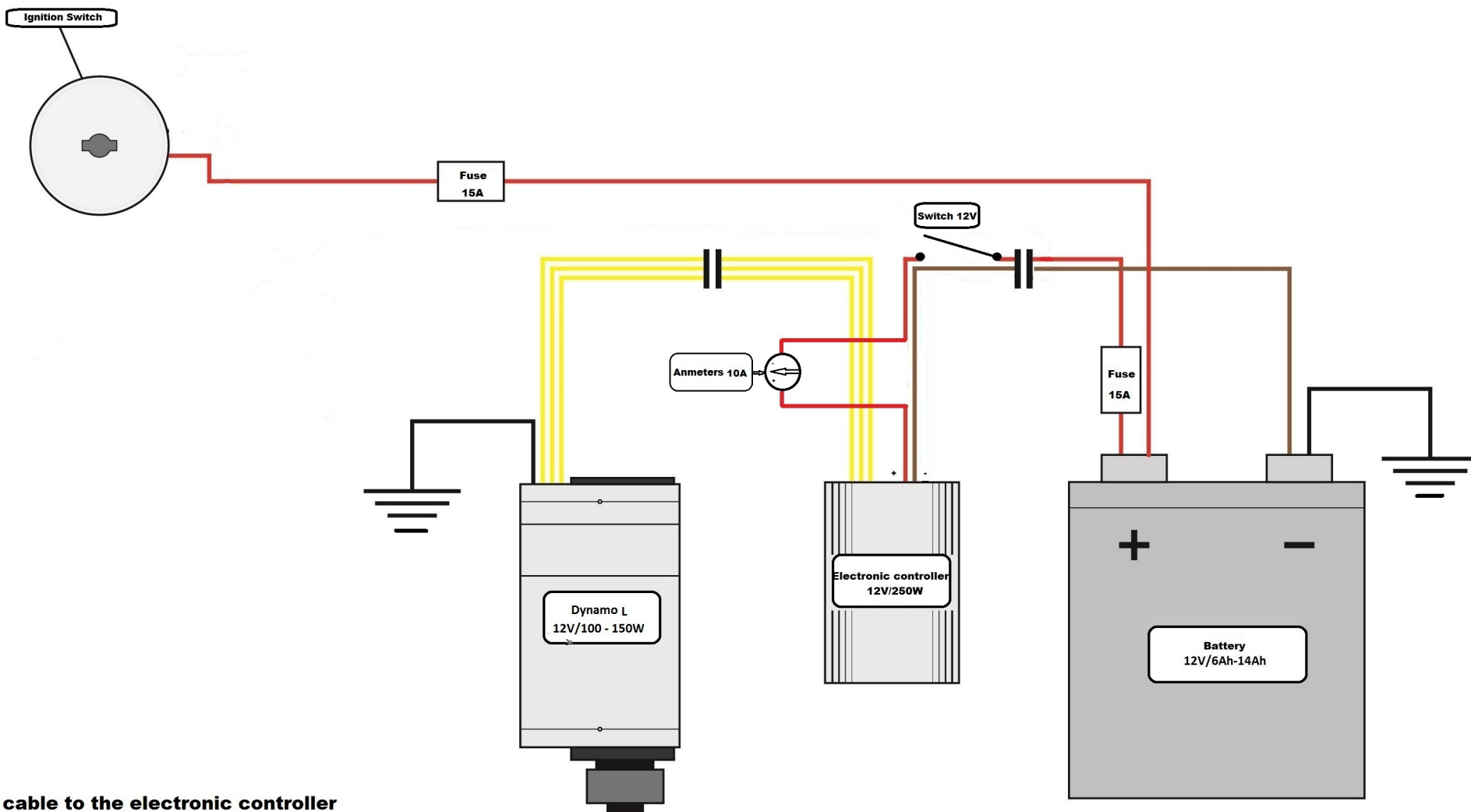




# Electronics plan Dynamo L - Alternator 12V - 100 / 150W with (-) to the mass



Connection cable to the electronic controller

-  Mass cable (-)
-  Plus cable (+)

