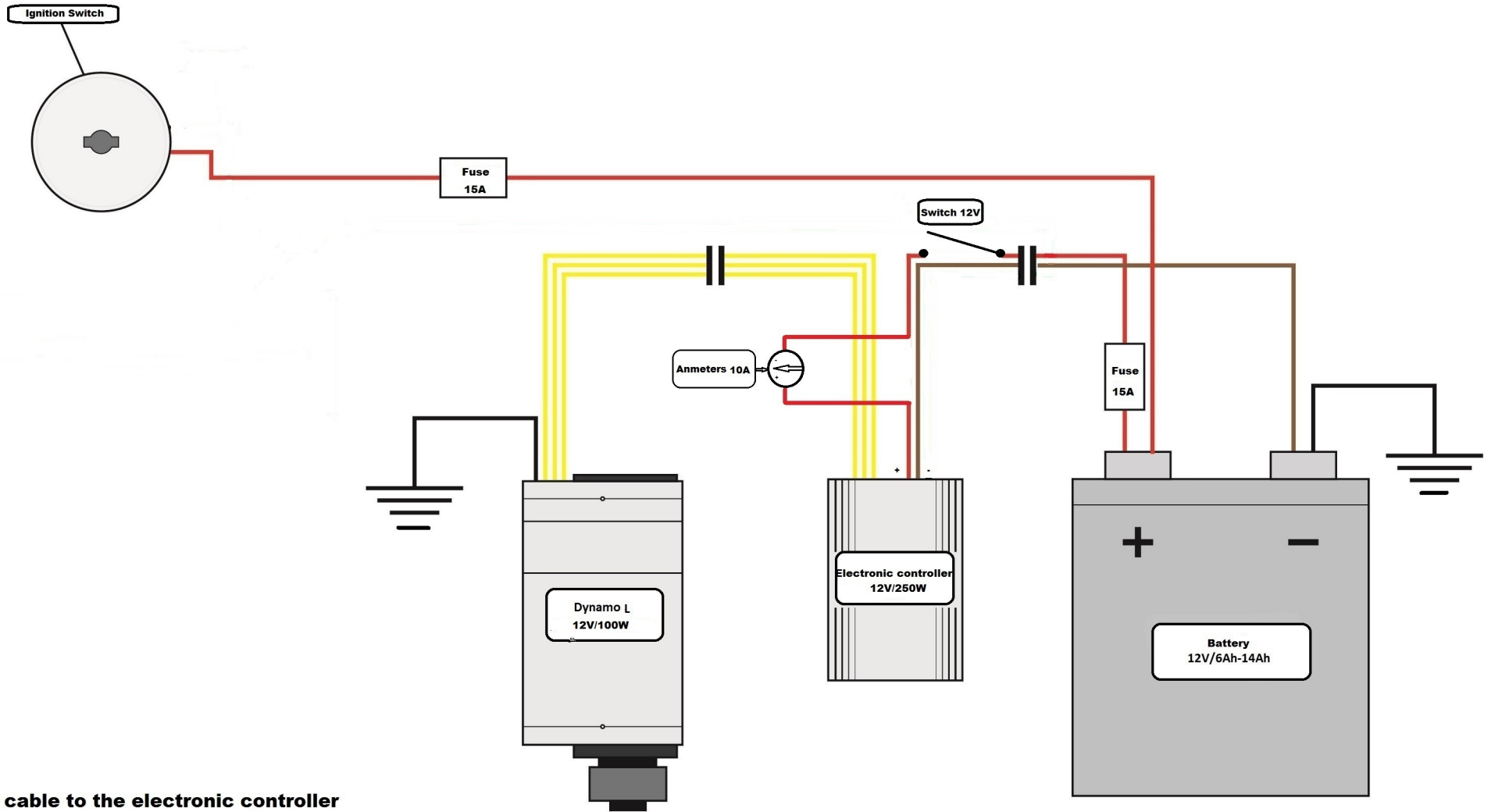


Electronics plan Dynamo L - Alternator 12V/100W with (-) to the mass



Connection cable to the electronic controller

- Mass cable (-)
- Plus cable (+)

